

# EB SERİSİ / EB SERIES

## HİDROLİK GERDİRME / HYDRAULIC TENSIONER

### Özellikler

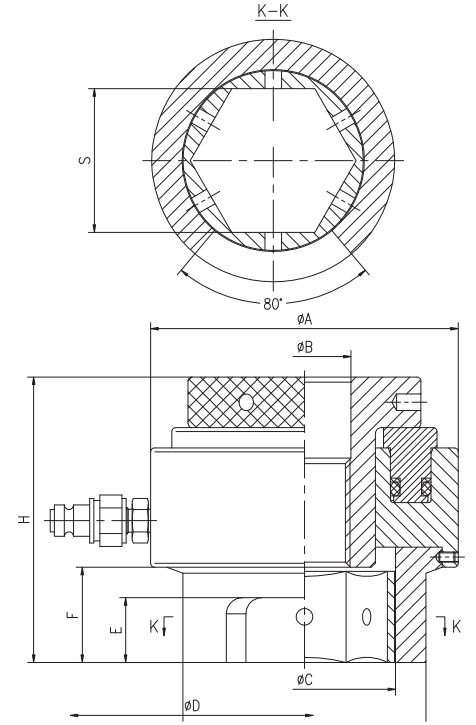
- 10 yük hücresi mevcuttur.
- Hafif ve hassasiyeti yüksektir.
- Tam görüntü için köprü penceresi bulunur.Farklı cıvatalar için değiştirilebilir yük hücresine sahiptir.
- Köprüler kolay montaj için çıkarılabilir ve döndürülebilir yapıdadır.

### Features

- 10 Load cells available.
- Light weight, and accurate.
- Bridge window for full viewing.
- Removable load cell for different sized bolts.
- Bridges are removable and rotate for easy installation.



EB 206 - EB 207



Art. No	Model	Yük Hücresi Modeli Load Cell Model	Cıvata Ölçüsü Bolt Size	Yük Load KN	Adaptör & Köprü Kit Modeli Adaptor & Bridge Kit Model	Boyutlar / Dimensions								Strok Stroke mm
						A mm	B mm	C mm	D mm	E mm	F mm	H mm	S mm	
91129001	EB201	EB201LC	M20	155	EB201AK-M20 EB201AK-M22 EB201AK-3/4 EB201AK-7/8	80	20.5	43	62	16	23	91	31	
			45					33						
			43					31						
			45					33						
91129002	EB202	EB202LC	M24	456	EB202AK-M24 EB202AK-M27 EB202AK-M30 EB202AK-M33 EB202AK-M36 EB202AK-1 EB202AK-1-1/8 EB202AK-1-1/4 EB202AK-1-3/4	110	25	54	73	18	37	111	37	
			28				57	75	20	30	114	42		
			31				62	81	20	32	116	47		
			34				69	88	20	35	119	51		
			37				74	96	26	38	122	56		
			28				57	75	20	30	114	39		
			31				62	81	20	32	116	44		
			34				69	88	20	35	119	49		
			37				74	96	26	38	122	53		
			40				80	100	28	41	133	61		
			43				85	108	30	44	136	66		
			43				85	108	30	44	136	63		
91129004	EB204	EB204LC	M45	989	EB204AK-M45 EB204AK-M48 EB204AK-1-3/4 EB204AK-1-7/8	152	46	90	120	32	47	141	71	
			49				95	125	32	50	144	76		
			46				90	120	32	47	141	68		
			49				95	125	32	50	144	76		
91129005	EB205	EB205LC	M52	1346	EB205AK-M52 EB205AK-M56 EB205AK-2 EB205AK-2-1/4	177	53	103	132	38	54	154	81	
			57				106	140	38	58	158	86		
			53				103	132	38	50	144	77		
			59				115	150	41	62	164	90		
91129006	EB206	EB206LC	M60	1649	EB206AK-M60 EB206AK-M64 EB206AK-M68 EB206AK-2-1/2	200	61	115	150	41	62	164	91	
			65				120	156	45	66	168	96		
			69				126	164	45	70	172	101		
			65				126	164	45	70	172	100		
			73				135	185	50	74	189	106		
91129007	EB207	EB207LC	M72	2191	EB207AK-M72 EB207AK-M76 EB207AK-2-3/4 EB207AK-3	225	77	140	190	52	78	193	111	
			72				140	190	52	78	193	109		
			78				146	206	60	82	202	118		
			81				146	206	60	82	202	116		
			86				155	210	60	87	207	121		
91129008	EB208	EB208LC	M80	2544	EB208AK-M80 EB208AK-M85 EB208AK-M90 EB208AK-3-1/4 EB208AK-3-1/2	255	91	165	225	60	92	212	131	
			84				165	225	60	92	212	128		
			92				173	235	65	98	224	137		
			97				173	235	65	98	224	136		
			102				186	245	70	103	229	146		
91129009	EB209	EB209LC	M95	3101	EB209AK-M95 EB209AK-M100 EB209AK-3-3/4	282	97	186	245	70	103	229	147	
			97				186	245	70	103	229	147		
			97				186	245	70	103	229	147		
91129010	EB210	EB210LC	M105	3796	EB210AK-M105 EB210AK-M110 EB210AK-M115	320	-	197	275	70	107	242	152	
			-				202	275	75	112	247	157		
			-				212	275	80	117	252	167		